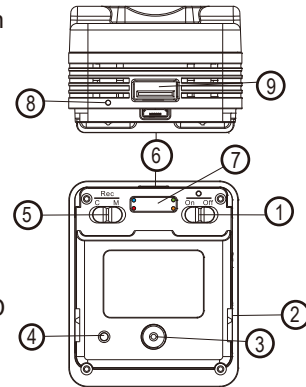


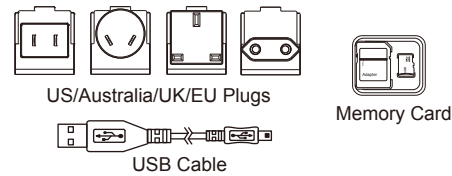
## 1. Names and Parts

1. Wi-Fi On/Off Switch
2. Memory Card Slot
3. Lens
4. Default Key
5. Continuous/Motion Recording Switch
6. Micro USB Port
7. Power (Blue) LED  
Record (Red) LED  
IP (Green) LED  
Wi-Fi (Orange) LED
8. Microphone
9. USB port



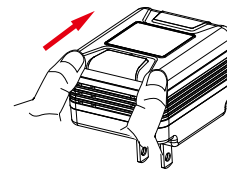
**No microphones are available for USA market**

## 2. Package Content



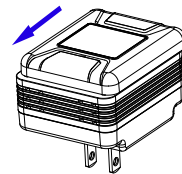
1

## 3. Open the cover



### Open

With the USB port ⑨ facing away from you, push the cover in red arrow direction. The cover will then be opened.

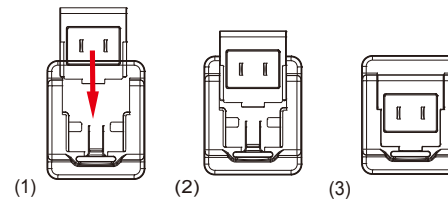


### Put back

Gently push the cover back in blue arrow direction. When you hear a click sound, it means the cover is locked back properly.

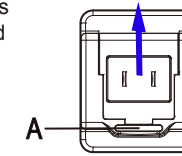
## 4. Change plugs

4.1 Choose the plug you need and slide it into the back of the DVR in red arrow direction (see illustration 1 - 3 below).



2

4.2 To remove the plug, press and hold the button A and push the plug out in blue arrow direction.



8

9

6

7

1

## 5. Operation

- 5.1 Insert memory card into ②. Go to the Program Setting on the APP to format the card when using on first time.
- 5.1 Power on: Plug the DVR into a wall socket.
- 5.2 Recording: 40 seconds after the device is powered on, it starts to record automatically.
- 5.3 Wi-Fi: With device powered on, switch ① to on, Wi-Fi will be turned on in 40 seconds.
- 5.4 Power off: With no recording is on, unplug the DVR.
- 5.5 Reset: When the device functions abnormally, please unplug it.
- 5.6 Default: To restore Wi-Fi password(88888888) & SSID, press ④ for 4 seconds. To restore all default settings, press ④ for 10 seconds. After all LED lights turn off, device will restart itself and the default is done.
- 5.7 To launch P2P / IP connection and control DVR on the APP, please refer to PV cam viewer for IP cam quick guide.

※Please note that each time the device is changed to P2P or IP connection, the system initialization will take around 40 seconds.

3

## 5.9 LED status indicators :

- Solid blue LED ■ - power on
- Solid red LED ■ - recording on
- Blinking orange LED ■ - device searching for Wi-Fi connection
- Solid orange LED ■ - device connected to phone (P2P connected)
- Solid green LED ■ - device connected to the router (IP connected)

## 6. Continuous / Motion Detection Recording

6.1 For continuous recording, please switch ⑤ to the letter C.

6.2 For motion detection recording, please switch ⑤ to the letter M. After 10 seconds of system initialization, the unit is now recording on motion detection mode. When the sensor detects any moving object, the red LED will be on steadily. You can also change the recording mode on APP.

6.2.1. Motion detection mode & 3 resolution mode options:  
1080p / 720p / WVGA

6.2.2. Motion detection mode & 3 sensitivity mode options:  
High / Medium / Low

6.2.3. Motion detection mode & different time segments:  
1 / 3 / 5 minutes

6.3 For snapshot function, please refer to PV cam viewer for IP Cam quick guide.

4

## 6. Retrieving Video Footage

- 6.1. Video file is stored in the memory card.
- 6.2. Remove memory card from DVR.
- 6.3. Insert memory card into a card reader or card slot in your PC.
- 6.4. Computer detects the storage and user may browse and operate the storage as typical folder directory. i.e. Rename, copy and paste, delete, duplicate, etc.

### Note:

**Video files will be named as V+year+month+time; e.g. V20150721010101**

## 7. Date and time setting (for Windows system)

- 7.1. From the desktop right-click to open Notepad, create a text file named **settime.txt**
- 7.2. On the first line of the file, enter date and time information as year.month.day hours.minutes.seconds  
For example, suppose the time is October 16, 2015 15:00. Then enter 2015.10.16 15:00:00
- 7.3. Save the file to the root directory of the memory card.
- 7.4. Insert the memory card into the slot, and power on the device. The date and time setting is now completed.  
Note : When the date and time setting is completed. The settime.txt file will not be visible when you connect the device to the computer again.

5

## PV-UC10i

1080p Wi-Fi & IP Universal USB Charger DVR  
Quick Guide



LawMate, innovation never stops

**LawMate**®

V1.1