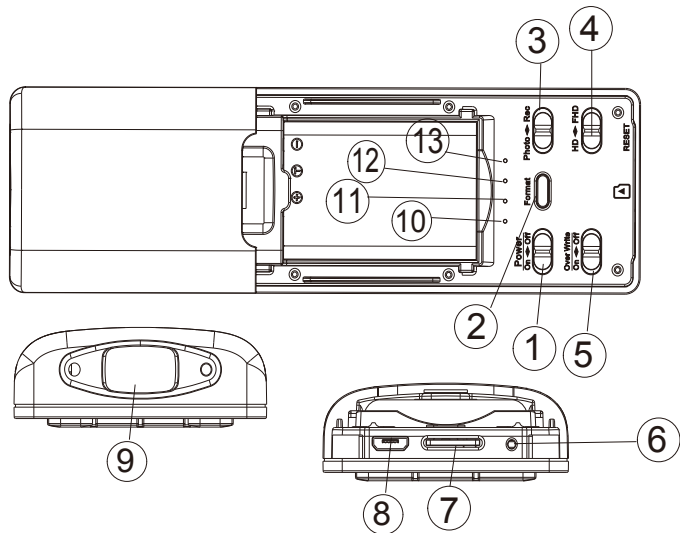


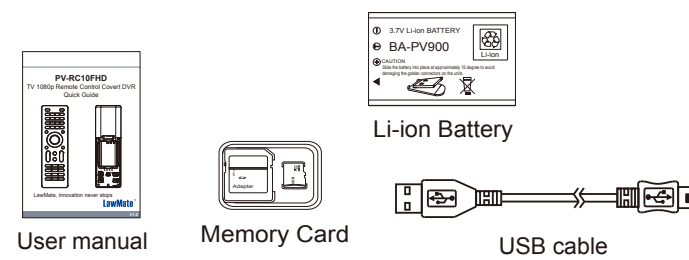
## 1. Name and Parts



1. Power switch
2. Format Button
3. Photo/Rec Switch
4. HD/FHD Switch
5. Overwrite Switch
6. Reset Button
7. Memory Card Slot
8. USB Port
9. PIR Sensor
10. Rec(RED)LED
11. Overwrite(Bright Green)LED
12. Charging(Green)LED
13. Power(Blue)LED

1

## 2. Package Content

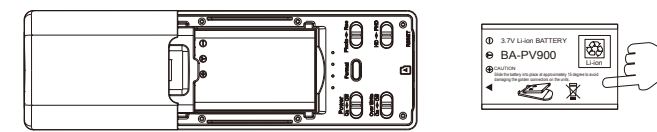


## 3. LED Indicators

LED Indicators	Device Status
Solid Red LED	Recording on
Red LED Blinks Once	Snapshot
Blinking Red LED	Memory Card Full
Solid Green LED	Device Charging
Solid Blue LED	Power On
Blinking Blue LED	No Memory Card
Solid Bright Green LED	Overwrite On

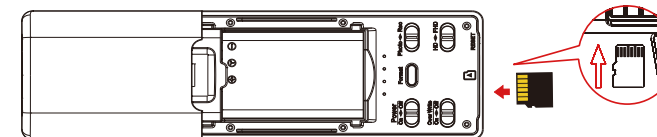
2

## 4. Battery Charging



1. Remove the battery cover from back.
2. Slide the battery into battery tray.
3. Close the battery tray with battery cover.
4. Connect the USB cable to the base.
5. Plug the USB cable to the PC or other USB power source ( the green LED will turn on ).
6. Leave the DVR charging until the green LED is turned off.

## 5. Format Memory Card



1. Insert the memory card as shown in the illustration.
2. Press & hold on the device.
3. You will see the Red LED blinking when the memory card is being formatted. The Red LED will be off when the memory card format is completed.

3

## 6. Operation

1. Slide the Power switch ① to the left.
2. Select operation mode by sliding Photo/Rec switch ③ to place.
  - 2.1 Rec: Whenever the PIR sensor is triggered, the DVR automatically starts recording. Please note the length of video varies from 5 seconds to 2 minutes depending on the movement detection.
  - 2.2 Photo: The device takes 3 photos whenever the PIR sensor is triggered.
3. Resolution setting by sliding HD/FHD switch ④ to place.
  - 3.1 Video resolution: HD(1280X720@30fps)  
FHD(1920X1080@30fps)
  - 3.2 Photo resolution: 2MP(1600X1200 .JPG)

## 7. Download Videos and Photos from DVR

1. Video and photo files are stored in the memory card.
2. There are two ways to download video/photo files.
  - 2.1 Using memory card reader to download video/photo files.
  - 2.2 With the device powered on and memory card inserted, connect the device to PC by USB connection. It will be recognized by PC as an external drive for user to download the video recordings and photo files.

## 8. Others

Please be noted that you have to turn off the device first before you change the Photo/Rec mode. The device may crash if you suddenly change the mode with the power on.

4

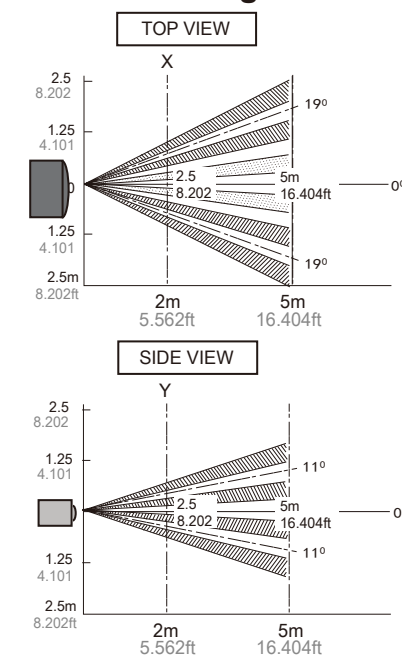
## 9. Specification

PV-RC10FHD	
<b>Built-in Camera Module</b>	
Built-in image sensor	1/3" progressive CMOS sensor
Sensor resolution	2304x1536
Sensor sensitivity	3.3 Lux @ F 2.0
Lens F/No.	F 3.2
Focal Length	4mm
Angle of View	66°
<b>Video Spec.</b>	
Algorithm	H.264, JPEG
File Format	MOV, JPG
Video recording mode	Manual & Auto
Recording Capability	1920x1080 / 1280x720
Frame rate	Up to 30 fps
Photo Capability	5M
<b>Storage &amp; I/O</b>	
Memory type	Micro SD Card ( Support SDHC max.32GB)
Data interface	Mini USB 2.0
<b>Misc.</b>	
Date/Time Table	YYYY/MM/DD, HH:MM:SS
<b>Power</b>	
Power Input	DC 5V
Power Consumption	250mA-390mA
Standby Consumption	About 5.2mA
Standby time	8 days
Battery Input	DC 3.7V / 1100mA polymers battery
<b>Physical</b>	
Dimension	17 x 5 x 1.5 cm
Weight	110 g

5

## PIR Sensor Illustration

### 1. Detection Range



### 2. Detection concerns

They may fail to detect successfully if a heat source other than a human being is detected or if there are no temperature changes in or movement of a heat source. Care must generally be taken in the following cases. The performance and reliability of the sensors must be checked out under conditions of actual use.

6

<1>Cases where a heat source other than a human being is detected

- (1) When a small animal enters the detection range.
- (2) When the sensor is directly exposed to sunlight, a vehicle's headlights, an incandescent light or some other source or far infrared rays.
- (3) When the temperature inside the detection range has changed suddenly due to the entry of cold or warm air from an air-conditioning or heating unit, water vapor from a humidifier, etc.

<2>Cases where it is difficult to detect the heat source.

- (1) When an object made of glass acrylic or other subject which far infrared rays have difficult passing through is located between the sensor and what is to be detected.
- (2) When the heat source inside the detection range hardly moves or when it moves at high speed.

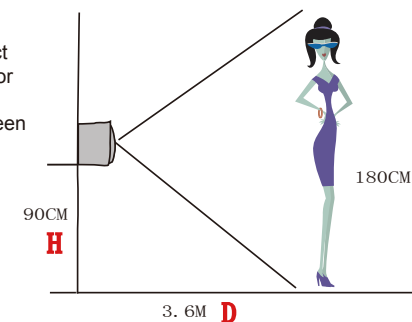
### 3. Installation Suggestion

Definition:

- O - the height of object
- H - the height of sensor from the ground
- D - the distance between object and sensor

Formula:

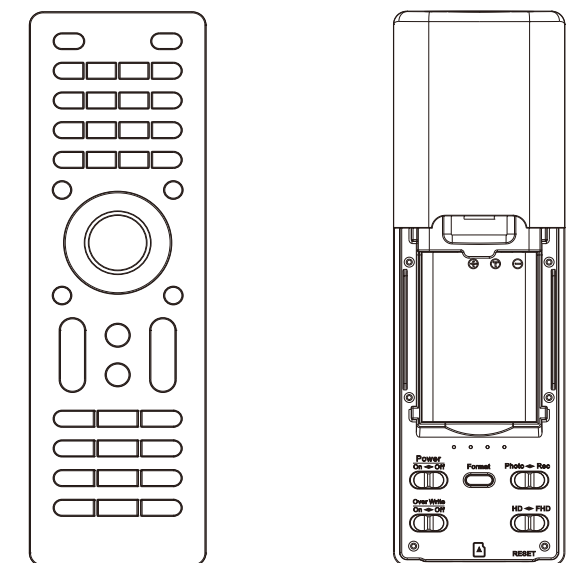
- H - O / 2
- D - O x 2



For example: To film a man at 180cm height in the video, the sensor should be placed at 90cm height above the ground and the man is 3.6m away from the sensor.

7

## PV-RC10FHD TV 1080p Remote Control Covert DVR Quick Guide



LawMate, innovation never stops

**LawMate**

V1.0