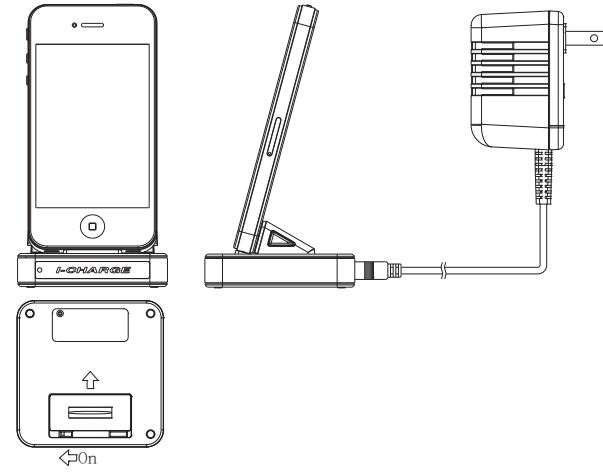
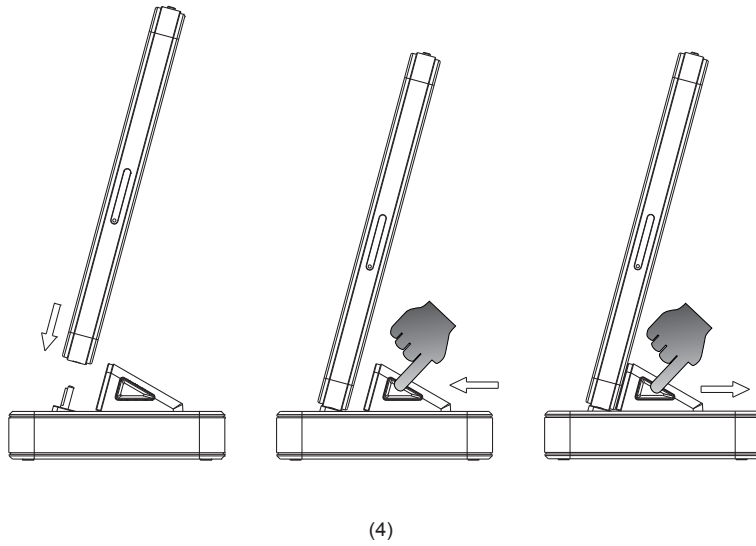


4. Charging

- 4.1. Charging iPhone by placing it downwards until properly connected.
- 4.2 Slide the back holder towards the object.
- 4.3 To disconnect the object from the charging dock slide the back holder backward.
- 4.4 Slide Charge switch to place. (Default setting is off)
- 4.5 Plug the adaptor to a wall outlet.



5. Using DVR

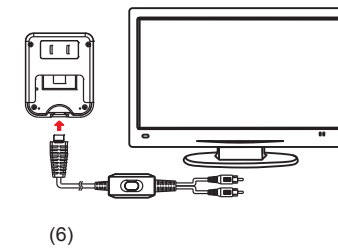
- 5.1 Plug the adaptor into a wall outlet.
- 5.2 Connect adaptor to a monitor by the supplied AV cable.
- 5.3 Operate IR remote controller to access Main Menu and submenu via user interface shown on display.

※ IR remote control is required to aim at the IR sensor on the A/V cable.

- 5.4 Access setting menu: Main Menu > Recorder Setting
- 5.5 Two different recording modes:
 - (a) Normal
 - (b) Motion Detection
- 5.6 Unplug adaptor from wall outlet after setting is completed. DVR saves the setting.
- 5.7 Plug DVR to a wall outlet again to activate last saved setting.
- 5.8 DVR starts recording automatically when the DVR is plugged into a wall outlet. Recording mode is set according to last change made on the Main Menu.

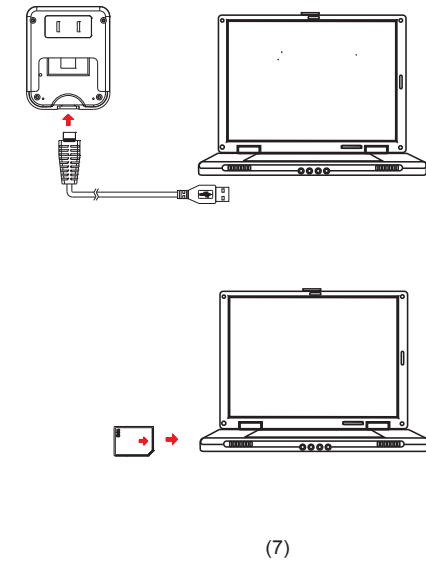
※NOTE

Normal Recording is defined as continuously recording until memory card is full. Motion Detect recording is defined as being triggered by any detected movement. Each video file is limited to 30 minutes in Normal Recording mode and 1min/3min/5min recording in Motion Detection mode. Selection can be made via user interface shown on display. i.e. Main Menu>Recorder Setting>Motion Detect> Time. File overwrite function is compatible to both Normal and Motion Detection mode.

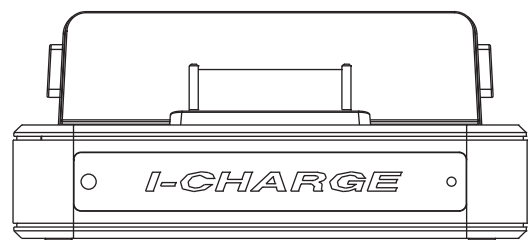


6. Retrieving Video Footage

- 6.1 Video file is stored in the memory card.
- 6.2 There are two methods to retrieve video files.
 - (a) Using USB Cable to connect to computer
 - (b) Using SD card reader to read and write folder directory
- 6.3 Computer detects the storage and user may browse and operate the storage as typical folder directory. i.e. Rename, copy and paste, delete, duplicate, etc.



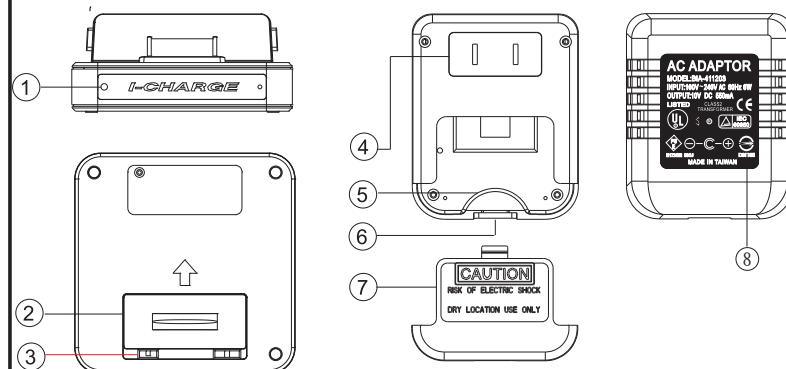
PV-AC35 Hidden Camera in iPhone Charging Dock Design Quick Guide



Law Enforcement Products Manufacturer
LawMate

V1.0

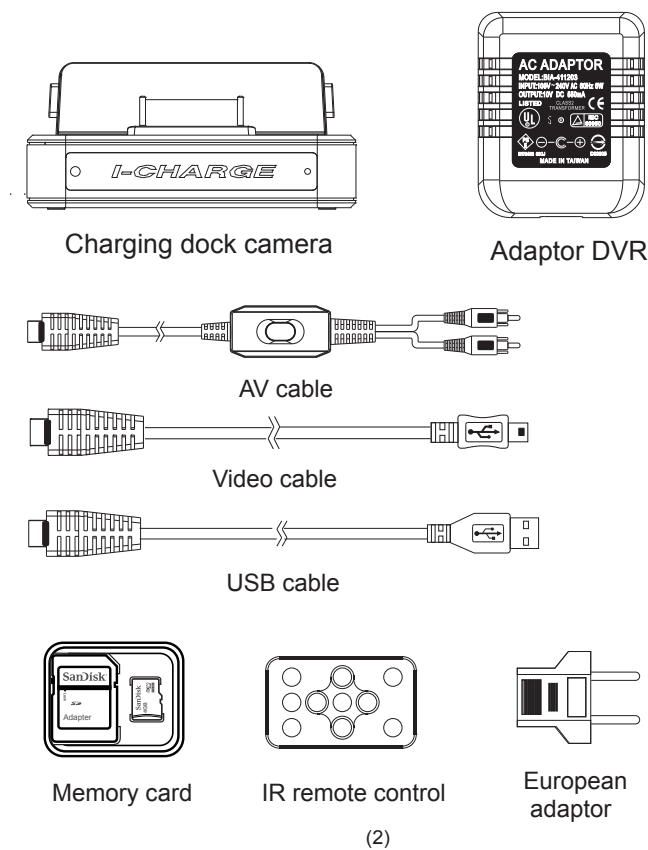
1. Name and parts



1. Camera lens
2. Slide-lid
3. Charge on/off
4. Two-prong outlet
5. Memory card slot
6. Mini USB port
7. Back cover
8. Microphone(Optional)

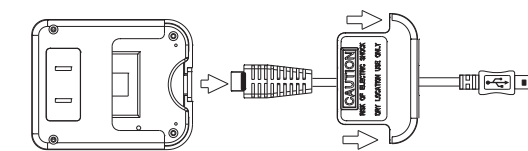
※ For USA market, microphone will be removed from the device.

2. Package content

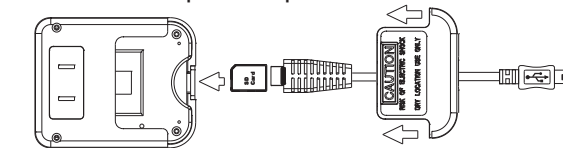


3. Installation

- 3.1 Slide the back cover towards the bottom of the adaptor DVR to remove it from the device.



- 3.2 Insert the memory card and connect the video cable to adaptor. Then close the back cover by sliding it towards the top of adaptor.



- 3.3 Connect the other end of the video cable from the adaptor to the iPhone charging dock.

