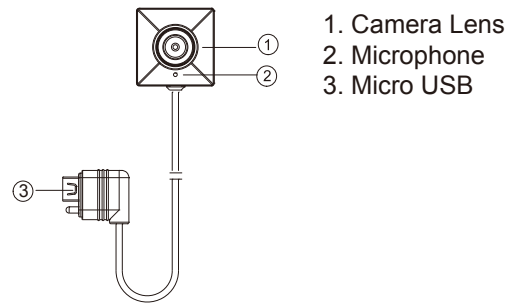
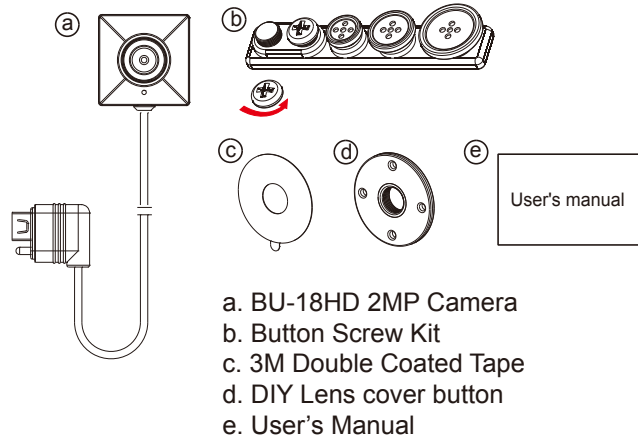


1. BU-18HD Name and Parts

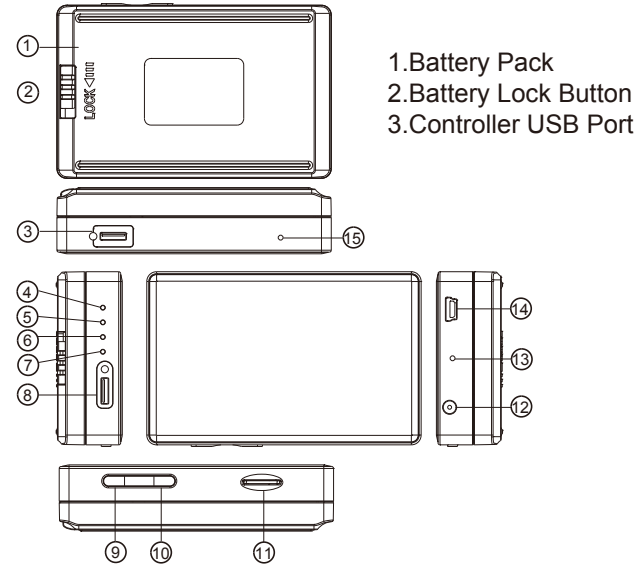


2. Package Content of BU-18HD



1

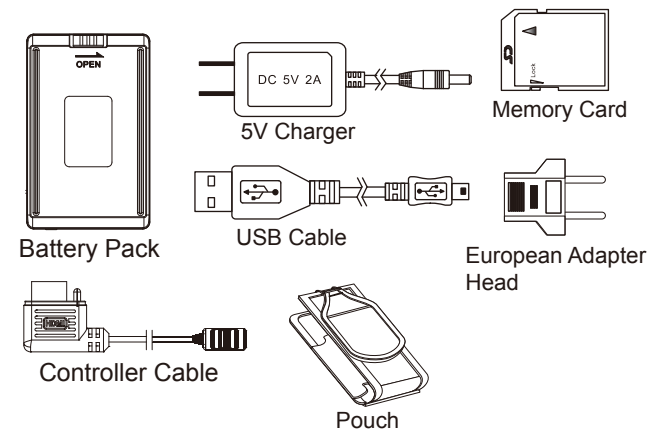
3. PV-500HDW Name and Parts



- 1. Battery Pack
- 2. Battery Lock Button
- 3. Controller USB Port
- 4. Green LED - Charging
- 5. Red LED - Rec on
- 6. Orange LED - Wi-Fi
- 7. Blue LED - Power on
- 8. Camera in Port
- 9. Power/Wi-Fi on & off Button
- 10. Rec on/off Button
- 11. Memory Card Slot
- 12. Charging DC 5V in Jack
- 13. Reset Button
- 14. USB Port
- 15. Default Button

2

4. Package Content of PV-500HDW

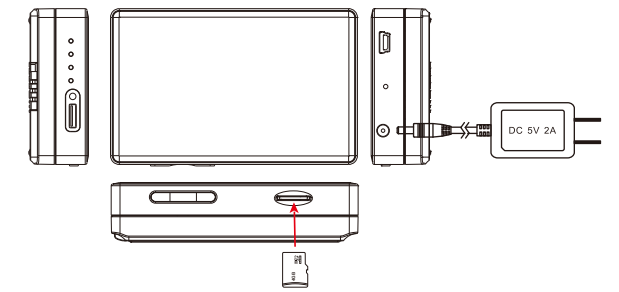


5. Install and Remove Battery

- To remove the battery, gently unlock by swiping LOCK switch to the right side and push battery in red arrow pointed direction.
- To install the battery, attach the battery to the DVR, gently push the battery in red arrow pointed direction. Lastly, don't forget to slide LOCK switch to the left to ensure it is locked properly.

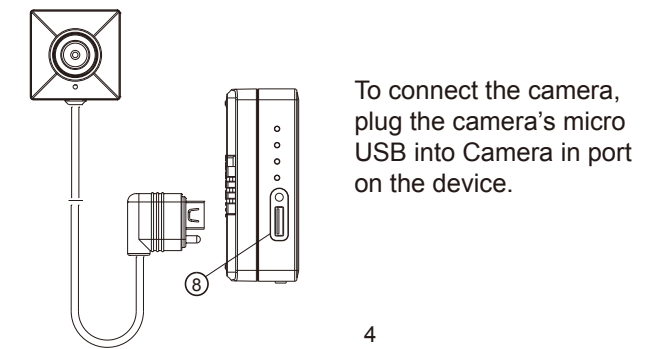
3

6. Battery Charging



- Connect the charger plug to the DC In Jack .
- Plug the power cord of the charger to an AC wall outlet. The charging starts automatically.
 - Solid green LED - the device is charging.
 - Green LED goes off - the device is full charged.

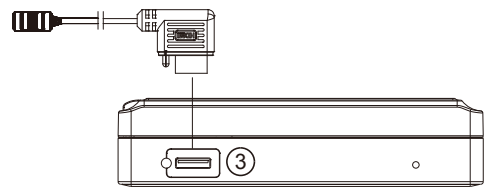
7. Connect to the camera



To connect the camera, plug the camera's micro USB into Camera in port on the device.

4

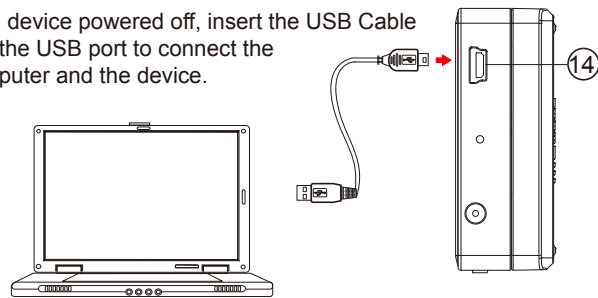
8. Connect the wired controller to DVR



- Plug in the Controller cable into the Control port
 - Turn on the Controller, the device starts recording instantly; When turned off, the recording stops and device powered off.
 - To turn on the device, slide the controller toggle downward and hold for 3 seconds.
 - To turn off the device, slide the controller toggle downward again and hold for 3 seconds.
- Solid green LED on Controller - the controller is connected.
 - Solid red LED on Controller - the device is recording.

9. Connect the DVR to the computer

With device powered off, insert the USB Cable into the USB port to connect the computer and the device.



5

10. Formate the memory card

- With gold contact facing down, insert the memory card into ⑪
 - With device powered off, press and hold Rec button ⑩
 - And then press Power button ⑨ for 3 seconds, with until you see the blinking red LED.
 - Lastly, release both buttons at the same time.
 - Blinking Red LED + Solide Blue LED - the memory card is being formatted.
 - All lights off - the formatting is completed.
- ⚠ **Caution:** To make the memory card recognizable, please be sure to format the memory card before using it for the first time. Please note that formatting on computer is not recommended, for it might result in the failure for the computer to recognize the card.

11. Date and time setting (for Windows system)

- From the desktop right-click to open Notepad, create a text file named **settime.txt**
- On the first line of the file, enter date and time information as year.month.day hours.minutes.seconds
For example, suppose the time is October 16, 2015 15:00. Then enter **2015.10.16 15:00:00**
Note : There should be a space left between day and hours, and the time format should be the 24-hour format.
- Save the file to the root directory of the memory card.
- Insert the memory card into the slot, and power on the device. The date and time setting is now completed.
Note : When the date and time setting is completed. The **settime.txt** file will not be visible when you connect the device to the computer again.

6

12. Operation

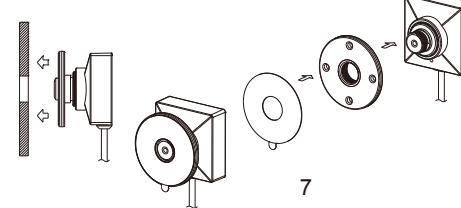
- Power on: Press ⑨ for 3 seconds.
- Recording: With device powered on, press ⑩ to start or stop recording.
- Wi-Fi: With device powered on, press ⑨ to turn on/off Wi-Fi.
- Power off: With no ongoing recording, press ⑨ for 3 seconds.
- Reset: When the device functions abnormally, press ⑬.
- Restore default Wi-Fi password: long press ⑤ for 3 seconds.
- Restore default setting : press ⑤ for 10 seconds.
 - Solid blue LED - power on
 - Solid red LED - recording on
 - Blinking orange LED - searching for Wi-fi connection
 - Solid orange LED - device is connected to Wi-fi

13. Download videos and photos from DVR

- Knowing that all video files are stored in the memory card. You can ...
- Use a memory card reader to transfer datas from the card to the computer.
 - Or, connect the device to the computer with memory card inserted. Turn on the device and it will work as a flash drive.

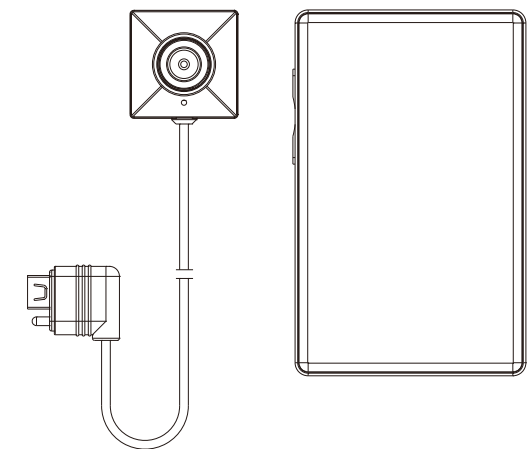
14. Put on DIY lens cover button

Stick the tape on the button and screw it on the camera



7

PV-500W Bundle BU-18HD + PV-500HDW Package



LawMate, innovation never stops

LawMate®