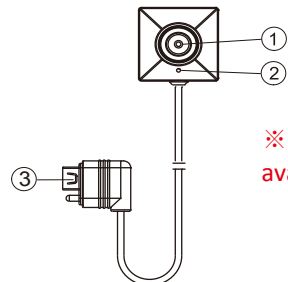


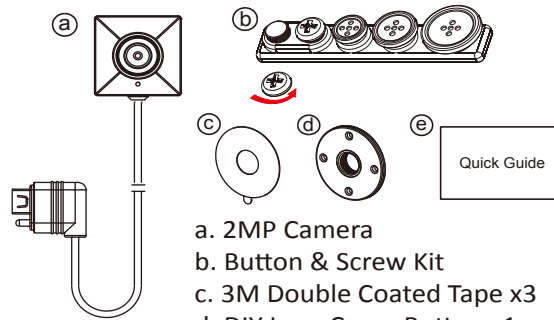
1. Names and Parts



1. Camera Lens
2. Microphone
3. Micro USB

※ No microphones are available for USA market.

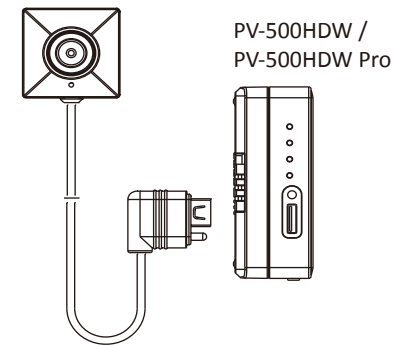
2. Package Content



- a. 2MP Camera
- b. Button & Screw Kit
- c. 3M Double Coated Tape x3
- d. DIY Lens Cover Button x1
- e. Quick Guide

1

3. Camera Setup Illustration



To connect the camera to the DVR, plug the camera's Micro USB end into the **Camera In** port on the DVR.

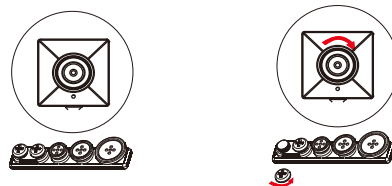
※ Only connect the camera to DVR when the DVR is powered off.

※ Before turning on the DVR, make sure the camera is already connected and memory card is inserted.

※ BU-18HD is only compatible with PV-500HDW & PV-500HDW Pro.

2

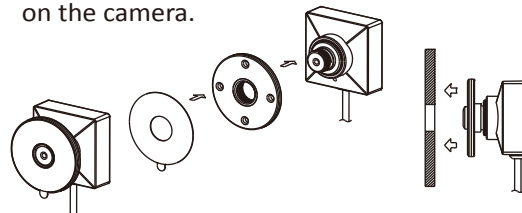
4. Put on Lens Covert Cap(Button and Screw)



1. Unscrew the preferred lens covert cap at counterclockwise direction to remove it from the set.
2. Place the removed lens covert cap onto camera lens.
3. Screw at clockwise direction to attach the cap to the camera.

5. Put on DIY Lens Cover Button

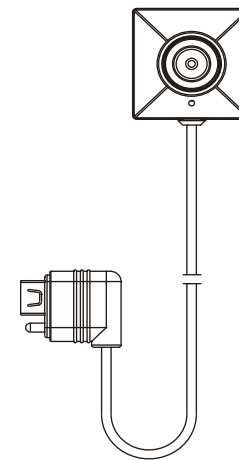
1. Stick the tape on the button and screw it on the camera.



3

BU-18HD

2MP Full HD Button Camera
Quick Guide



LawMate, innovation never stops

LawMate[®]