

3. LED Status Indicator

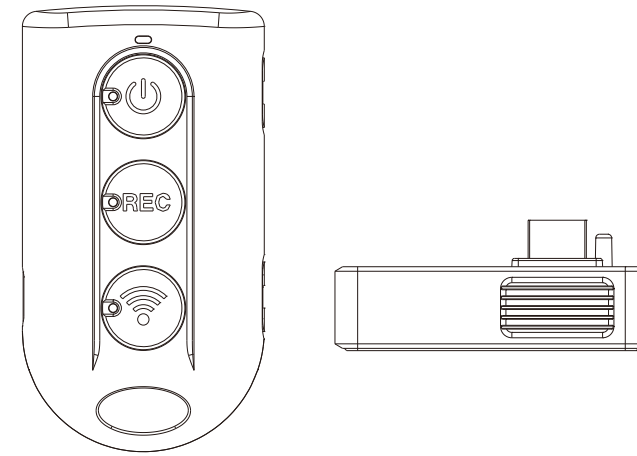
LED Indicators	Device Status
Red/Blue LED Blinks Swiftly	Pairing Up
Blue LED Blinks Once	Commands Received
Red LED Blinks Once	Commands Received Feedback
Solid green LED	Charging
Blinking Blue LED	Low Battery

Note: The Connection between the Transmitter and Receiver can last for 20 seconds. The connection will automatically be terminated after 20 seconds of idle time.

1

PI-RF50

RF Wireless Remote Controller

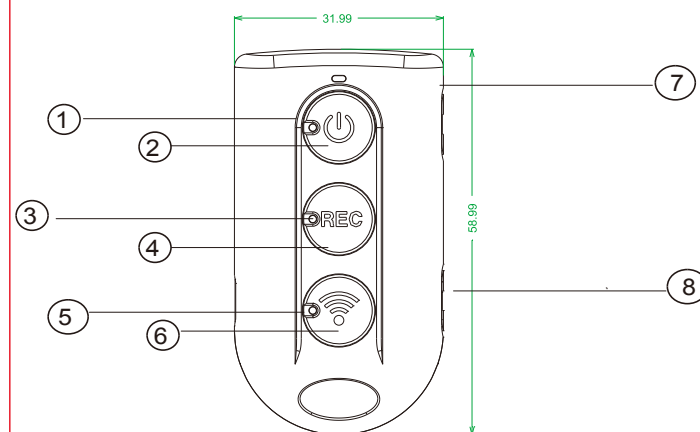


LawMate, innovation never stops

LawMate®

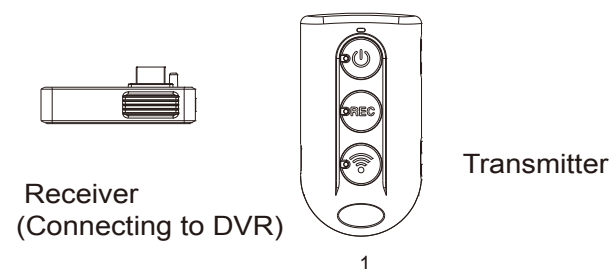
2

1. PI-RF50 Transmitter Names and Parts



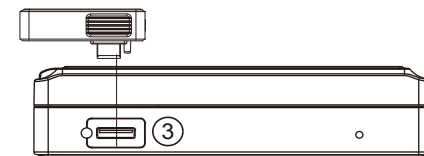
- | | |
|--------------------|---------------------------------------|
| 1. Power LED(Blue) | 5. WiFi LED(Orange) |
| 2. Power Key | 6. Wi-Fi Key |
| 3. Rec LED(Red) | 7. Power ON(Down) /OFF(Up) Switch |
| 4. Rec Key | 8. Vibration ON(Down) /OFF(Up) Switch |

2. Package Content



1

3. Connect the PI-RF50 Receiver to the DVR



1. Plug in the Receiver into the Control port (3). Once you see the Blue LED ■ blinks for once, it suggests that the Receiver is working properly.
2. To control the DVR with the Transmitter, switch to "Power On" on the side of the Transmitter. The Blue LED ■ will blink once and the Transmitter will vibrate twice.
3. Press (2) for 3 seconds to turn on the DVR, you'll see the monitor being turned on. Then the Red LED ■ and Blue LED ■ will both be on, the DVR will start the recording automatically.
4. If you want to stop the recording, press (4) to turn off the recording. The Red LED ■ on the Rec Key will be off and the Transmitter will vibrate twice if the Rec is stopped successfully. You can resume the Rec by pressing (4) again. The Red LED ■ will be on again and the Transmitter will also vibrate twice which indicates that the Rec has been on again.
5. If you want to start the P2P connection, please press (6) to turn on the Wi-Fi. The Orange LED ■ will be on and the Transmitter will vibrate twice, You can turn off the connection by pressing (6) again.

*** PI-RF50 supports PV-500HDW Pro only**

2